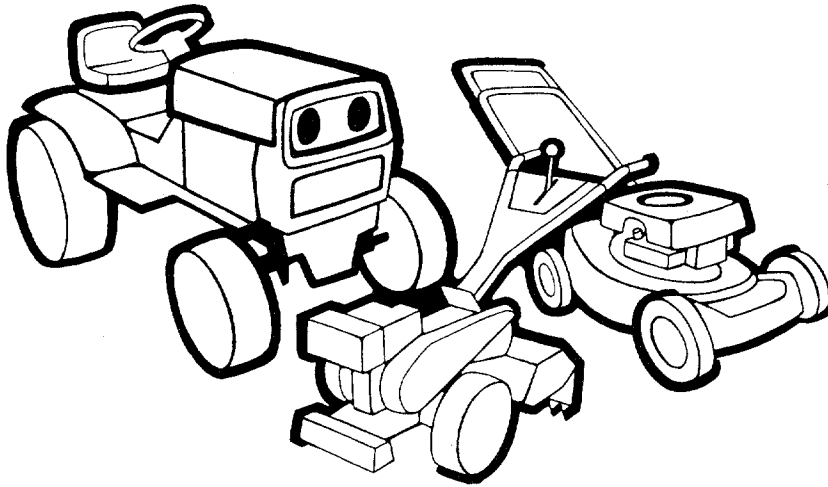


OWNERS MANUAL



**3-1/2 H.P.
LOG SPLITTER**

**ASSEMBLY
OPERATION
MAINTENANCE
PARTS LIST**

**Model Number
244-638-000
24638L**

**Important:
Read Safety Rules and
Instructions Carefully**

Thank you for purchasing an
American built product.

INDEX

Operation Practices	3	Trouble Shooting Chart	12
Assembly Instructions	5	Illustrated Parts	13, 14
Operation	8	Repair Parts List	13, 15
Maintenance	9	Parts Information	Back Cover
Off-Season Storage	11		

LIMITED WARRANTY

For one year from the date of original retail purchase, MTD PRODUCTS INC will either repair or replace, at its option, free of charge, F.O.B. factory or authorized service firm, any part or parts found to be defective in material or workmanship. Transportation charges for the movement of any power equipment unit or attachment are the responsibility of the purchaser. Transportation charges for any parts submitted for replacement under this warranty must be paid by the purchaser unless such return is requested by MTD PRODUCTS INC.

This warranty will not apply to any part which has become inoperative due to misuse, excessive use, accident, neglect, improper maintenance, alterations, or unless the unit has been operated and maintained in accordance with the instructions furnished. This warranty does not apply to the engine, motor, battery, battery charger or component parts thereof. Please refer to the applicable manufacturer's warranty on these items.

This warranty will not apply where the unit has been used commercially.

Warranty service is available through your local authorized service dealer or distributor. If you do not know the dealer or distributor in your area, please write to the Customer Service Department of MTD.

The return of a complete unit will not be accepted by the factory unless prior written permission has been extended by MTD.

This warranty gives you specific legal rights. You may also have other rights which vary from state to state.



TO PURCHASERS OF INTERNAL COMBUSTION ENGINE EQUIPPED MACHINERY OR DEVICES IN THE STATE OF CALIFORNIA

The equipment which you have just purchased does not have a spark arrester. If this equipment is used on any forest covered land, brush covered land, or grass covered unimproved land in the State of California, before using on such land, the California law requires that a spark arrester be provided. In addition, spark arrester is required by law to be in effective working order. The spark arrester must be attached to the exhaust system and comply with Section 4442 of the California Public Resources Code.

➔ IMPORTANT

It is suggested that this manual be read in its entirety before attempting to assemble or operate. Keep this manual in a safe place for future reference and for ordering replacement parts.

This unit is shipped WITHOUT GASOLINE or OIL. After assembly, see separate engine manual for proper fuel and engine oil recommendations.

Your log splitter is a precision piece of power equipment, not a plaything. Therefore exercise extreme caution at all times.

SAFE OPERATION PRACTICES FOR LOG SPLITTERS

TRAINING

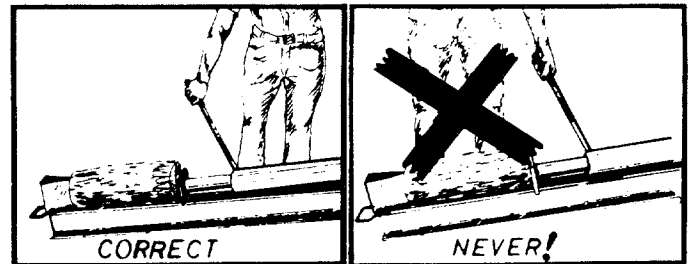
1. Know the controls and how to stop quickly--
READ THIS OWNER'S MANUAL.
2. Do not allow children to operate. Do not allow adults to operate it without proper instruction. Only persons well acquainted with these rules of safe operation should be allowed to use your log splitter.
3. Never use your splitter for any other purpose than splitting wood. It is designed for this use only and any other use may cause an injury.
4. Only the operator is to be near your log splitter during use. Keep all others, including pets, a minimum of 20 feet away from your work zone. Flying wood can be hazardous.
5. Don't step over your splitter when engine is running. You may trip or accidentally activate ram if you step over. If you need to get to the other side, walk around.

PREPARATION

1. Do not wear loose fitting clothing that could get caught on the moving parts.
2. Do not operate equipment when barefoot or wearing open sandals. Always wear safety shoes or heavy boots. A dropped log can seriously injure your foot.
3. Check the fuel before starting the engine. Do not fill the gasoline tank indoors, when the engine is running, or while the engine is still hot. Wipe off any spilled gasoline before starting the engine.
4. Use only in daylight or in good artificial light.
5. Never operate your splitter on slippery, wet, muddy, or icy surfaces. Safe footing is essential in preventing accidents. Never operate your splitter while attached to a towing vehicle.
6. Always wear safety glasses or goggles while operating your log splitter. A piece of splitting log could fly off and hit your eyes.
7. Both ends of each log must be cut square. This will prevent the log from flying out of the splitter while under pressure.

OPERATION

1. Do not change the engine governor settings or overspeed the engine. Excessive engine speeds are dangerous.
2. Never place hands or feet between log and splitting wedge or between log and ram during forward or reverse stroke. To do so may result in crushed or amputated fingers or toes, **or worse**, you may lose an arm or foot.
3. If the equipment should start to vibrate abnormally, stop the engine and check immediately for the cause. Vibration is generally a warning of trouble.
4. When cleaning, repairing or inspecting, make certain all moving parts have stopped. Disconnect the spark plug wire, and keep the wire away from the plug to prevent accidental starting.
5. Handle gasoline with care. It is highly flammable.
 - A. Use approved gasoline container.
 - B. Never remove cap or add gasoline to a running or hot engine or fill fuel tank indoors. Wipe up spilled gasoline.
 - C. Don't run engine in an enclosed area. Exhaust gases contain carbon monoxide. This odorless gas can be deadly when inhaled.
6. Stand behind the ram when operating. See drawings.



7. Be careful not to touch the muffler after the engine has been running. It is **HOT**.
8. Never try to split two logs on top of each other. One may fly out and injure you.

9. Never attempt to split wood across the grain. Some types of wood may burst or fly out of your splitter and result in injury to you or a bystander.
 10. Never leave your log splitter unattended with the engine running. Shut off the engine if you are leaving your splitter, even for a short period of time. Someone could accidentally activate the ram and be injured.
 11. Only use your hand to operate the ram or control lever. Never use your foot or a rope or any other extension device. This could result in your inability to stop your splitter quickly enough and cause an injury.
 12. Only operate your splitter on the level ground and not on the side of a hill. It could tip, or rolling logs or poor footing could cause an accident. This also prevents the spillage of gas from the tank.
- MAINTENANCE and STORAGE**
1. Don't operate your splitter in poor mechanical condition or when in need of repair.
 2. Keep all nuts, bolts, screws, hose clamps and hydraulic fittings tight to be sure equipment is in safe working condition.
 3. Replace all damaged or worn parts such as hydraulic hoses and fittings immediately with manufacturer approved replacement parts.
 4. Never store the equipment with gasoline in the tank inside of a building where fumes may reach an open flame or spark. Allow the engine to cool before storing in any enclosure.
 5. To reduce fire hazard keep engine free of grass, leaves, wood chips, excessive grease and oil.
 6. The hydraulic system of your log splitter requires the careful inspection along with the mechanical parts. Be sure to replace frayed, kinked, cracked or otherwise damaged hydraulic components.
 7. Fluid escaping from a very small hole can almost be invisible. Do not check for leaks with your hand. Escaping fluid under pressure can have sufficient force to penetrate skin, causing serious personal injury. Leaks can be located by passing a piece of cardboard or wood over the suspected leak and look for discoloration.
 8. Should it become necessary to loosen or remove any hydraulic fitting or line, be sure to relieve all pressure by shutting off the engine and moving the control handle back and forth several times.
 9. Don't remove the cap from the hydraulic tank or reservoir while your log splitter is running. Hot oil under pressure could cause injury.
 10. Never store outside without a waterproof cover. Rain will cause rust on the inside of the cylinder.



THIS UNIT SHOULD NOT BE TOWED ON ANY STREET, HIGHWAY OR PUBLIC ROAD. ANY LICENSING NEEDED TO COMPLY WITH THE EXISTING FEDERAL, LOCAL OR STATE VEHICLE REQUIREMENTS IS THE SOLE RESPONSIBILITY OF THE PURCHASER.

ASSEMBLY INSTRUCTIONS

TOOLS REQUIRED

- (1) Raw Hide or Plastic Hammer
- (1) 3/4" Wrench or Adjustable Wrench
- (1) Pipe Wrench
- (1) Pair of Pliers

OTHERS MATERIALS NEEDED

One gallon of regular grade gasoline (for engine).
 1-1/2 pints of SAE 30 or 10W30 oil (for engine)
 Approximately 2 gallons of Dexron II automatic transmission fluid (may be obtained at any local service station or auto parts store)

Funnel

Pipe sealant

CONTENTS OF HARDWARE PACK (See figure 1):

- A (1) Shoulder Bolt
- B (1) Wave Washer
- C (1) Ferrule
- D (1) Hairpin Cotter
- E (2) Flat Washers
- F (1) Cotter Pin
- G (2) Axle Push Caps
- H (1) Spacer

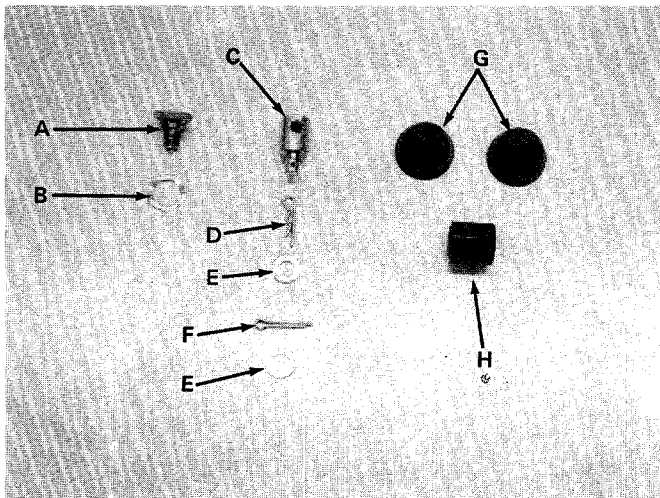


FIGURE 1.

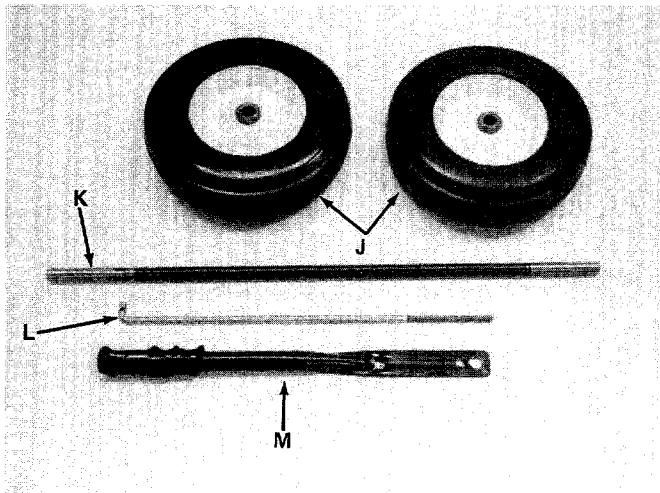


FIGURE 2.

← LOOSE PARTS IN CARTON (See figure 2):

- J (2) Wheels
- K (1) Axle Shaft
- L (1) Engagement Rod
- M (1) Engagement Handle

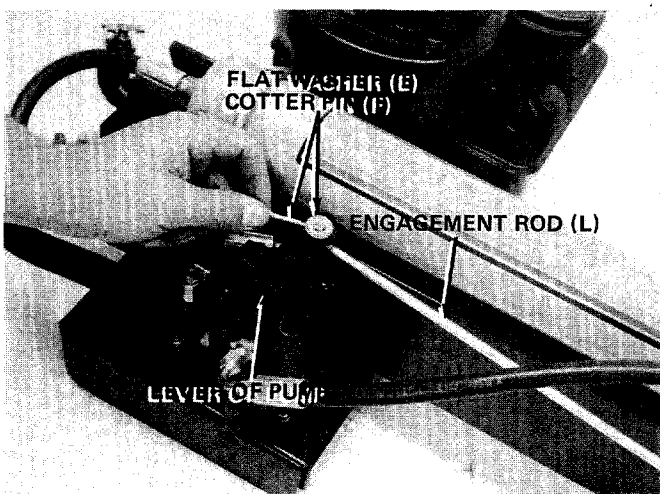


FIGURE 3.

1. Hook the bent end of the engagement rod (L) into the lever on top of the pump. See figure 3.
2. Next, place flat washer (E) over the rod. Insert the cotter pin (F) into the hole in the rod and secure by bending the ends of the cotter pin in opposite directions.

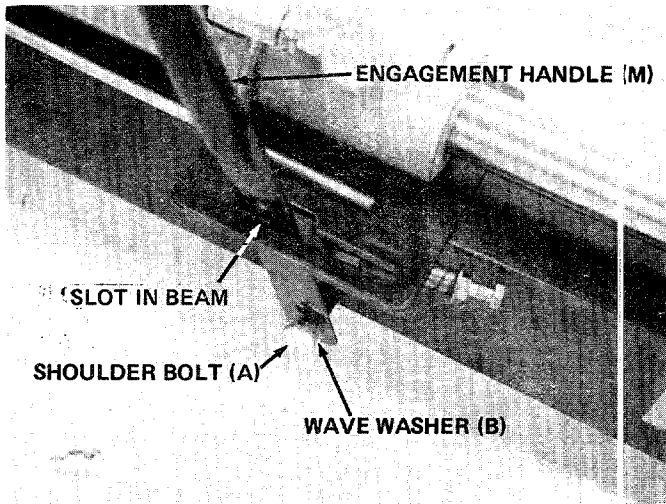


FIGURE 4.

3. Place the flattened end of the engagement handle (M) down through the slotted bracket beside the beam. Secure the bottom hole in the handle to the beam with shoulder bolt (A) and wave washer (B) as shown in figure 4.

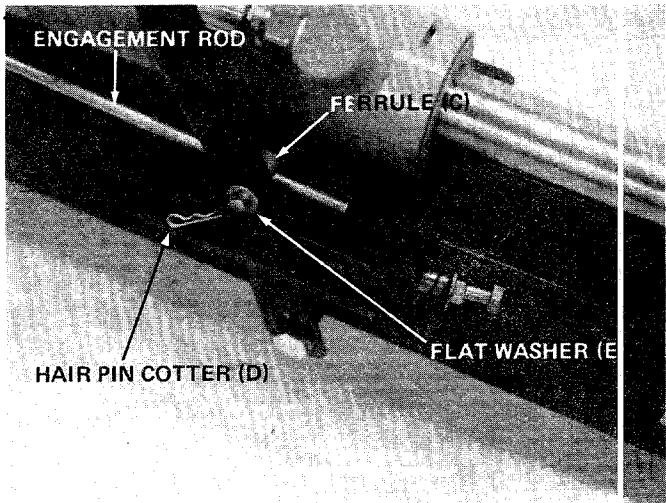


FIGURE 5.

4. Place the engagement handle in the notch in the slotted bracket. See figure 5. Thread the ferrule (C) onto the engagement rod until the ferrule lines up with the hole on engagement handle.
5. Secure the ferrule (C) to engagement handle with flat washer (E) and hairpin cotter (D). See figure 5.

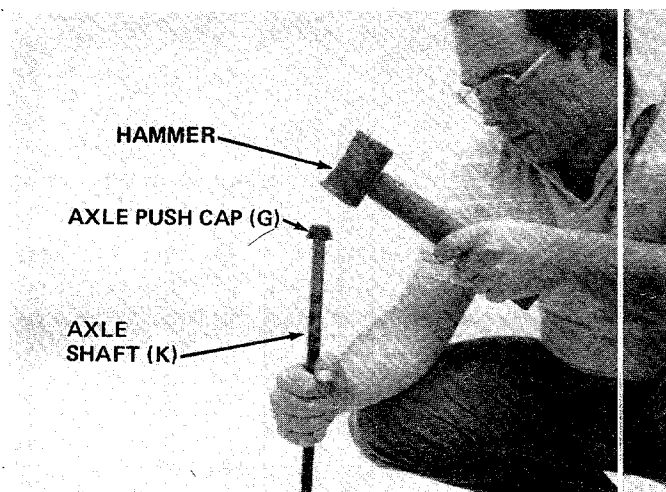
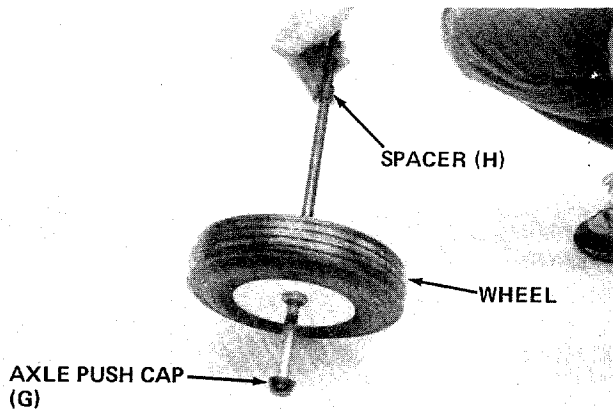


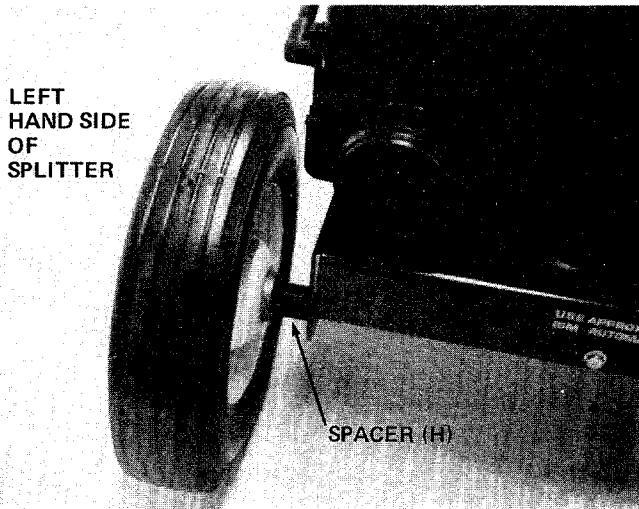
FIGURE 6.

6. Using a raw hide or plastic hammer, tap one axle push cap (G) on one end of axle shaft (K). See figure 6.



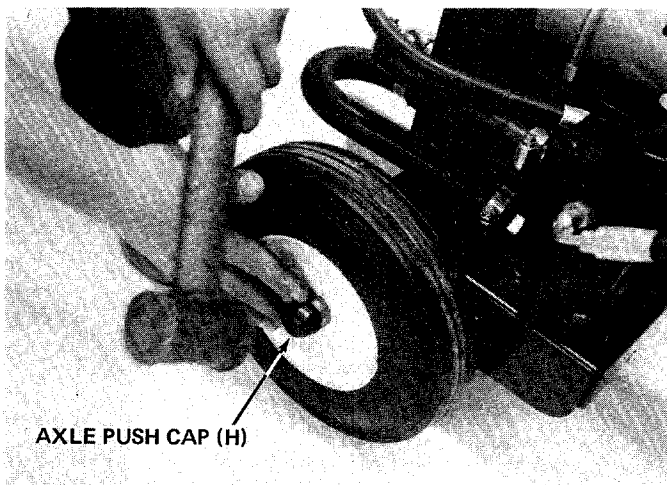
7. Slide one wheel onto the axle shaft, then the spacer (H). See figure 7.

FIGURE 7.



8. Slide the axle through the frame from the left hand side of the splitter (as viewed from standing behind it). Spacer should be on the engine side of the splitter. See figure 8.

FIGURE 8.



9. Place the other wheel on the axle and secure with push cap (H). See figure 9.

FIGURE 9.

OPERATION

BEFORE STARTING



Refer to engine manual packed with log splitter for complete instructions for the care and maintenance of engine. **READ DIRECTIONS CAREFULLY.**

1. Fill sump with oil as instructed in the separate engine manual. Drain and fill the engine from the same opening. See figure 10.

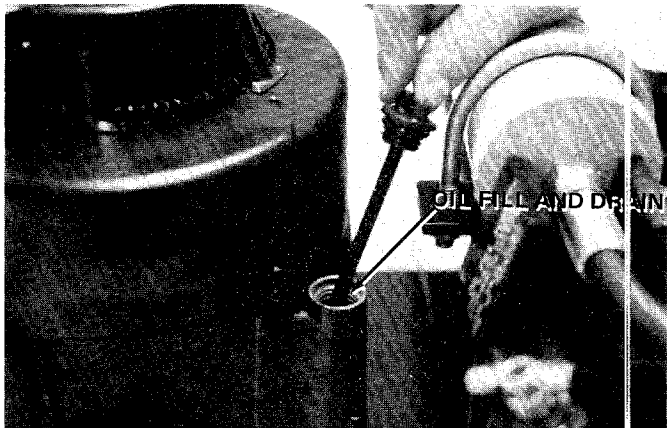


FIGURE 10.

2. Fill fuel tank, using clean, fresh, **regular** grade automotive gasoline. Fill tank completely.
3. Fill reservoir tank on log splitter. Remove the breather plug from breather tube. See figure 11. Pour approximately 2 gallons of Dexron automatic transmission fluid **ONLY** into breather tube.



DO NOT operate log splitter without proper amount of oil in reservoir tank beam.

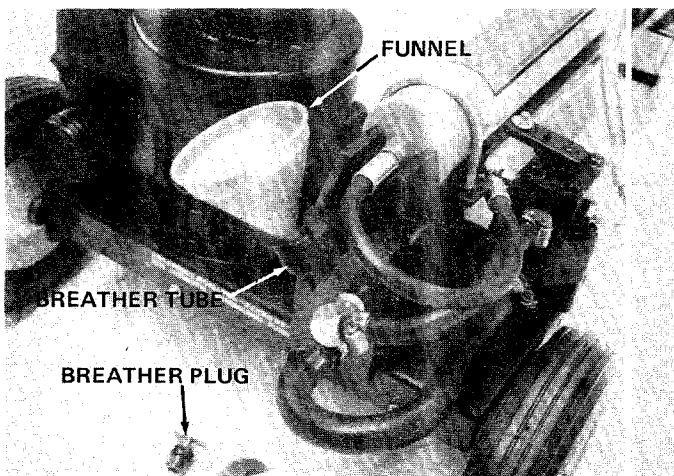


FIGURE 11.

TO START ENGINE

1. Place throttle control lever (on engine) in RUN position, towards the front of splitter. See figure 12.

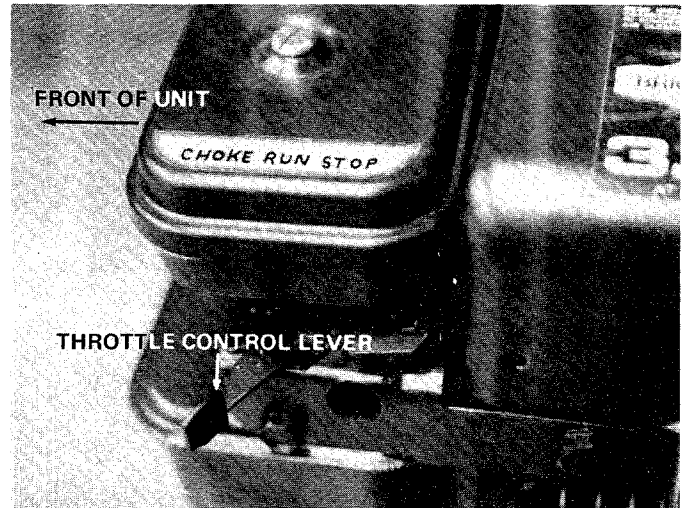


FIGURE 12.

2. Open the breather valve. Valve must be open when running log splitter. Valve must be closed when transporting log splitter. See figure 13.
3. Grasp starter handle, place one foot on wheel and pull starter handle with a quick, full arm stroke. Return rope slowly to the engine.

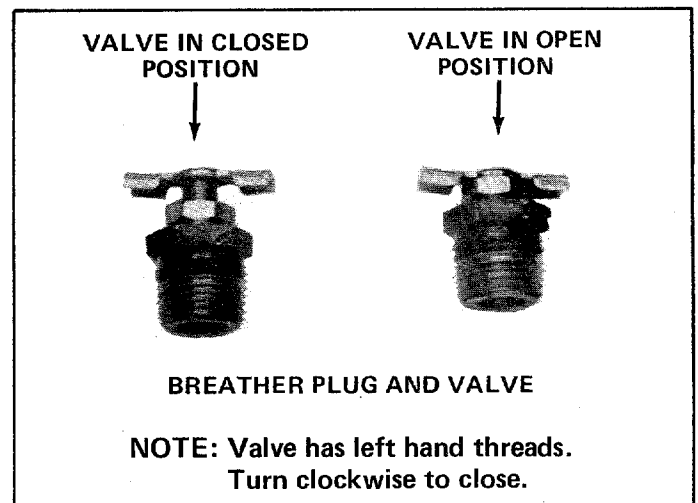


FIGURE 13.

TO STOP ENGINE

1. Move throttle control lever to STOP position.
2. Remove high tension wire from spark plug to prevent accidental starting by children while equipment is unattended.

USING YOUR LOG SPLITTER



CAUTION

This unit should not be towed on any street, highway or public road. Any licensing needed to comply with the existing federal, local or state vehicle requirements is the sole responsibility of the purchaser.

Your log splitter is designed for safe, efficient operation. CARE, OF COURSE, MUST BE EXERCISED THAT HANDS AND FEET ARE KEPT AWAY FROM MOVING PARTS.

Engagement handle has three positions: (See figure 14)

- Forward - ram moves toward wedge.
- Neutral - ram stops in place.
- Reverse - ram returns.

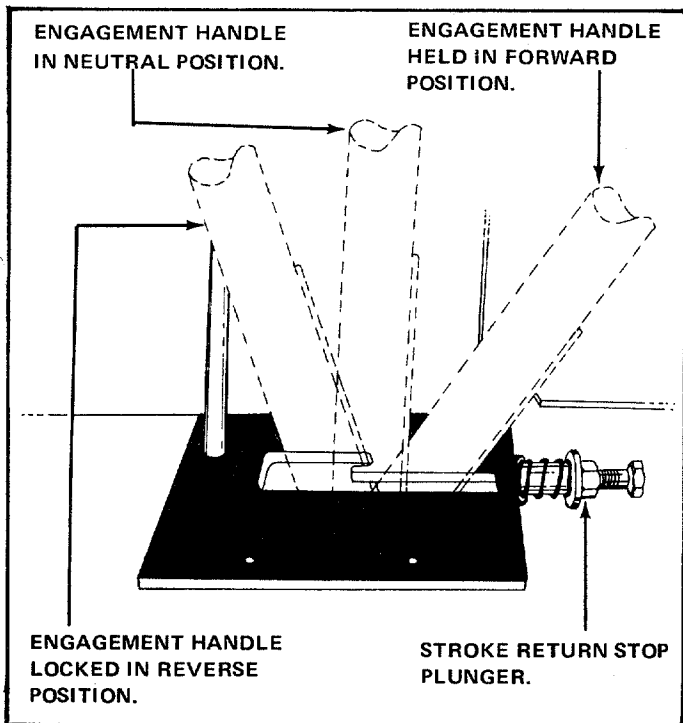


FIGURE 14

Maximum length that can be split is 20".

1. Set throttle at maximum speed.
2. Place log on beam and hold in place with right hand.
3. Slowly move engagement handle forward until ram rests against log. Release engagement handle (Neutral).
4. Remove your hand from the log and step behind the ram.
5. Move engagement handle forward until log is split.
6. Move the engagement handle to the rear to return ram.

The ram should take approximately 22 seconds to make a complete cycle. This speed may vary depending on throttle setting and temperature of oil.



NOTE

If you lock the engagement handle in the reverse slot, the ram will return until it hits the return stroke stop plunger, which will throw the engagement handle into neutral automatically.



WARNING

Never attempt to cut a log in half with the log splitter.
Never stand next to the ram when operating. Always stand behind the ram.

MAINTENANCE



WARNING

Always stop engine and disconnect spark plug wire before performing any maintenance or adjustments.

ENGINE OIL

Change oil first two (2) hours of operation and check oil level every five (5) operating hours or each time equipment is used.

Change oil every twenty-five (25) operating hours or sooner if equipment is operated in extremely dusty or dirty conditions.

Refer to engine manual for quantity and type of oil.

LOG SPLITTER RESERVOIR OIL

Check oil in log splitter reservoir before every use. See figure 15.

1. Block up front of log splitter so beam is level.
2. Remove check pipe plug in rear of beam. See figure 5. If oil starts to come out of check pipe plug hole, oil level is correct. IF IT DOES NOT, add oil to breather tube (see figure 11) until oil starts out.



NOTE

Use hydraulic sealant tape or pipe sealant on pipe plug threads.

3. Replace check pipe plug. Remove block from under front of beam.

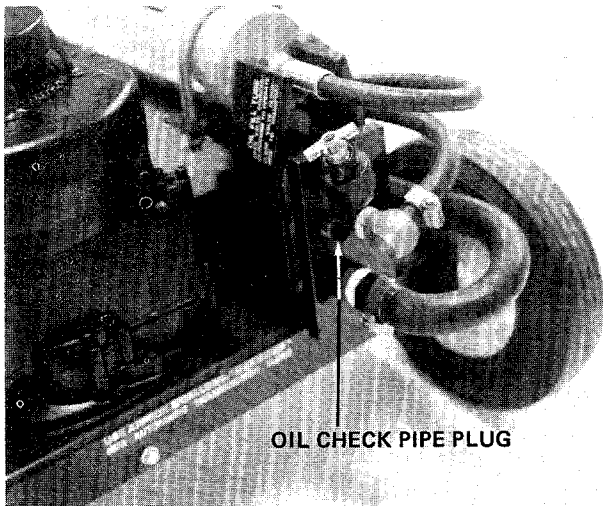


FIGURE 15

Change oil in the reservoir every (100) hours of operation.

1. Remove the hose clamp at inlet hose (bottom hose on rear of beam). See figure 16.



Be prepared to catch oil in a suitable container.

2. Pull off inlet hose from strainer tube assembly and catch oil in a suitable container. See figure 16.
3. With an adjustable wrench remove the strainer tube assembly. See figure 16.



The strainer tube assembly is 42" long.

4. Drain oil, clean strainer tube and reassemble using a hydraulic pipe sealant on the threads.
5. Remove the breather plug from breather tube. See figure 7. Pour approximately 2 gallons of Dextron II transmission fluid ONLY into breather tube.

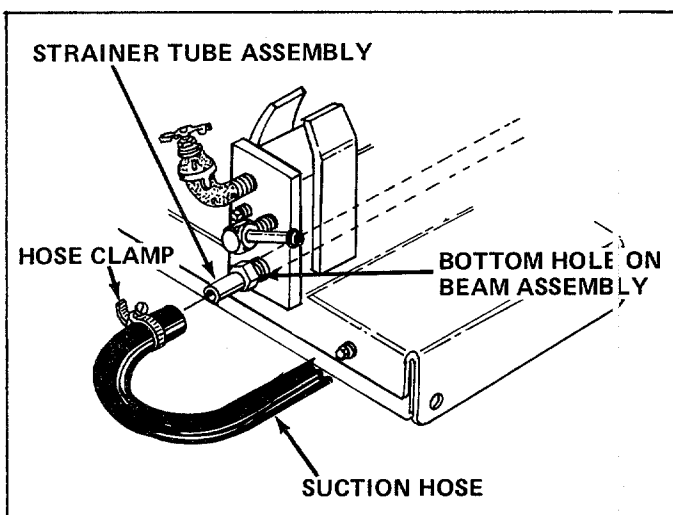


FIGURE 16

STRAINER TUBE ASSEMBLY

If the ram does not move back and forth smoothly, the strainer tube assembly may be clogged.

To clean, follow instructions for changing the reservoir oil, step number 1 through 3. Clean the strainer tube assembly and reassemble using a hydraulic pipe sealant on the threads.

HOSE CLAMPS

Check the hose clamps on the bottom of the pump for proper tightness before each use.

Hose clamps on the return hose should be checked once a season.

STROKE RETURN STOP PLUNGER

If the engagement handle does not return to neutral (from reverse) before the pressure relief bypass opens, loosen the hex lock nut, and back out the hex bolt one or two turns. See figure 17.



When the pressure relief valve opens, a loud high pitched sound is heard and engine labors.

Tighten hex lock nut and operate log splitter. Repeat if necessary.

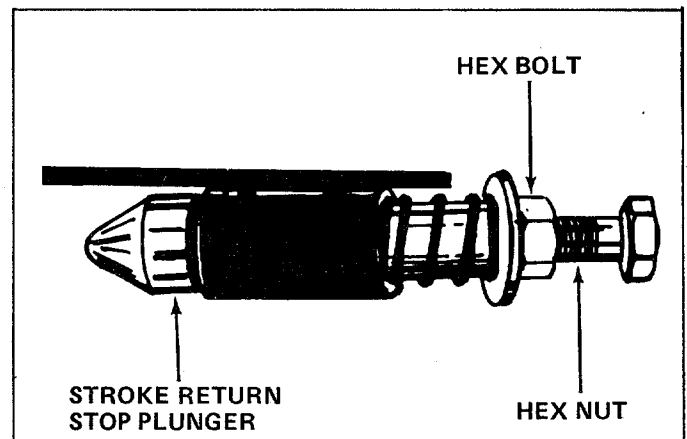


FIGURE 17

RAM OPERATION

If the ram does not move smoothly, run the ram its full stroke several times to clear out air in the system. Be sure the breather valve is open.

If this does not correct the problem, see Strainer Tube Assembly paragraph.

CARBURETOR ADJUSTMENTS



If any adjustments are made to the engine while the engine is running (e.g. carburetor), keep clear of all moving parts. Be careful of heated surfaces and muffler.

Refer to engine manual packed with your unit for carburetor adjustment information.

BELT REPLACEMENT

1. Disconnect the spark plug wire from the spark plug and ground against the engine block.
2. Drain the gasoline from the fuel tank or place a piece of plastic under the cap to prevent leakage.
3. Tip the splitter on one side.
4. Remove four self-tapping screws from the bottom belt cover and frame. See figure 18.

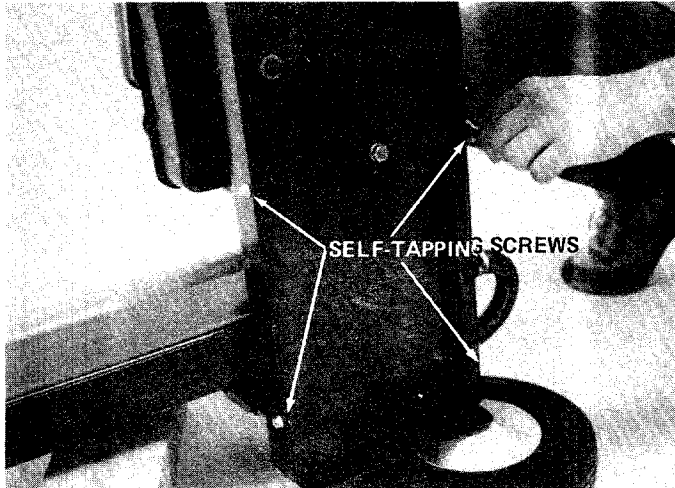


FIGURE 18

5. Using a 9/16" wrench, remove the engine pulley by removing the hex bolt and lock washer. See figure 19. Slip the pulley and belt off.



NOTE

Be careful not to lose the square key on the crankshaft.

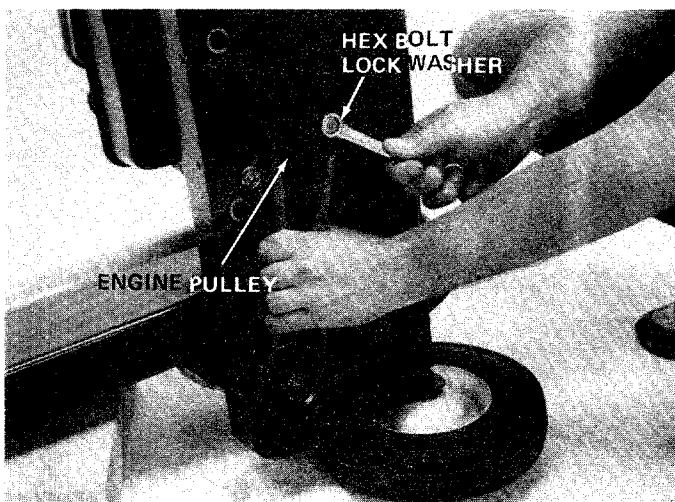


FIGURE 19

6. Loosen the three engine mounting bolts using a 1/2" wrench. See figure 20.
7. Install the new belt.

8. Slide the engine outward to tighten the new belt until there is approximately 1/2" deflection. Tighten engine mounting bolts securely.

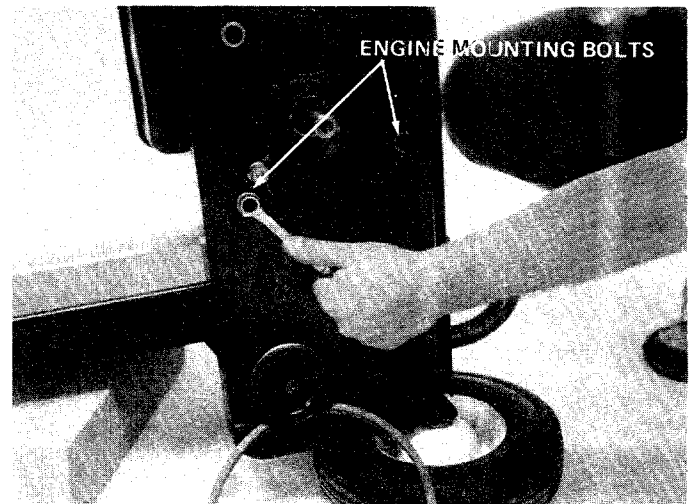


FIGURE 20

OFF-SEASON STORAGE

In event engine is to be stored for any length of time (30 days or more), prepare as follows:

1. Drain gasoline by tipping or by siphon hose, then run engine until remainder is used and tank and carburetor are empty.



CAUTION

Drain gasoline into container outdoors from fire or flame.

2. Drain carburetor by running engine until it stops from lack of fuel.
3. Protect the inside of engine for storage by removing spark plug and pouring one ounce of SAE 30 oil through spark plug hole into cylinder. Crank engine, without starting, several times to spread oil over cylinder walls.
4. Never store outside without a waterproof cover.



CAUTION

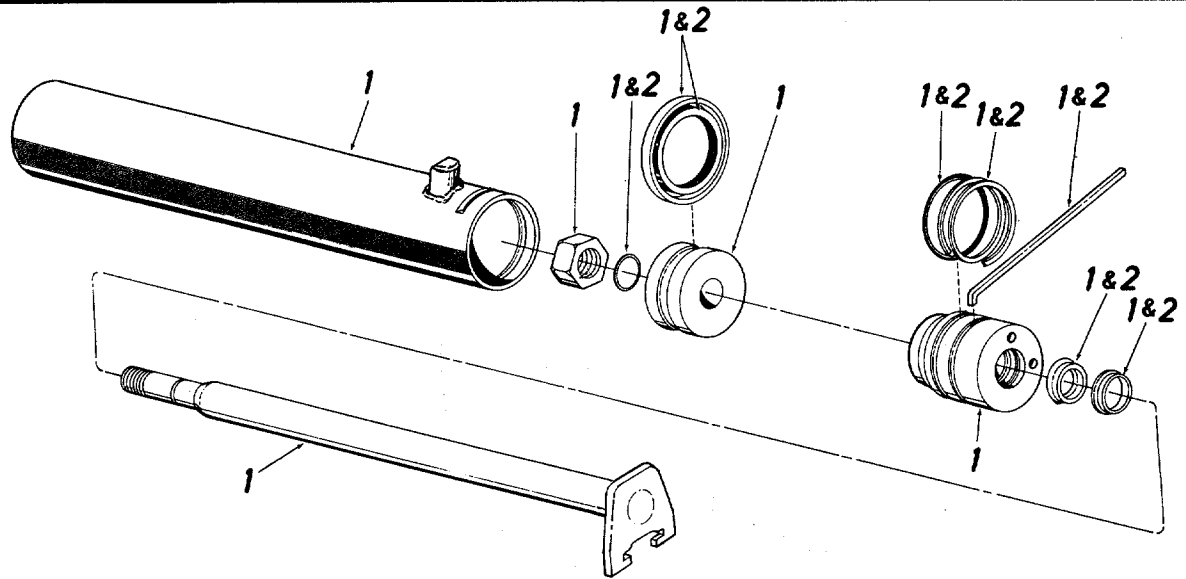
When storing any type of power equipment in an unventilated or metal storage shed, care should be taken to rust proof the equipment. Using a light oil or silicone, coat the equipment, especially springs and bearings.

TROUBLE SHOOTING CHART

SYMPTOM	POSSIBLE CAUSE(S)	SOLUTION
1. Engine fails to start	A. Check fuel tank for gas. B. Spark plug lead wire disconnected. C. Faulty spark plug.	A. Fill tank if empty. B. Connect lead wire. C. Spark should jump gap between control electrode and side electrode. If spark does not jump, replace the spark plug.
2. Hard starting or loss of power.	A. Spark plug wire loose. B. Dirty air cleaner.	A. Connect and tighten spark plug wire. B. Clean air cleaner as described in engine manual.
3. Engine overheats	A. Carburetor not adjusted properly. B. Air flow restricted. C. Engine oil level low.	A. Adjust carburetor. See engine manual. B. Remove blower housing and clean as described in the engine manual. C. Fill crankcase with the proper oil.
4. Will not split logs	A. Relief valve setting incorrect. B. Pump setting incorrect.	A. Shim valve with .010 flat washer. B. Adjust pump setting.
5. Leaking cylinder	A. Broken seals. B. Scored cylinder.	A. Replace seals. B. Replace cylinder.

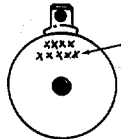
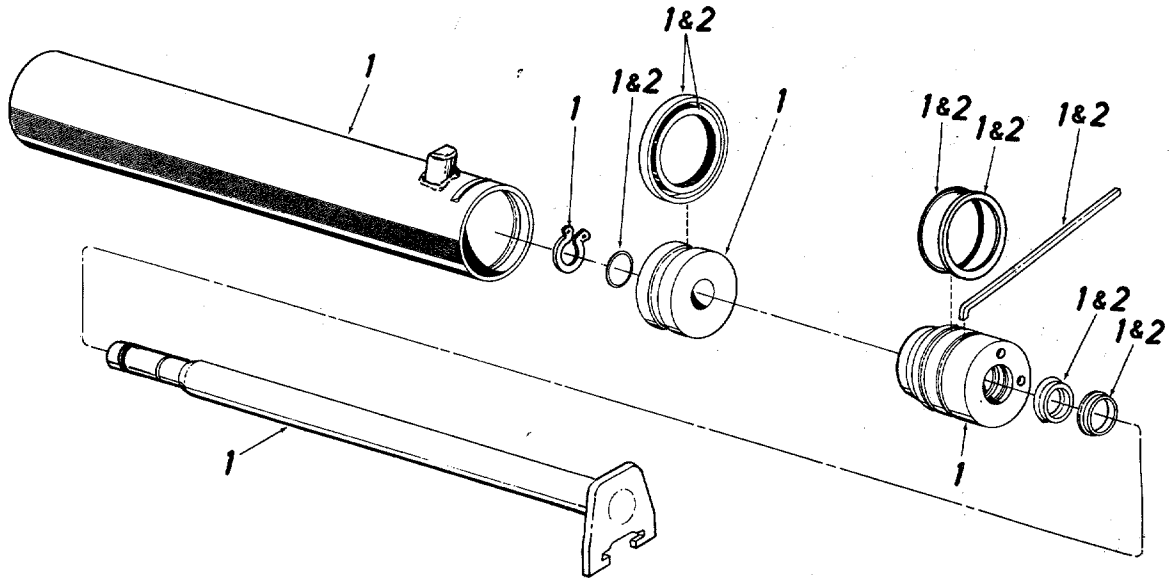
NOTE: For repairs beyond the minor adjustments listed above, please contact your local service dealer.

Model 638



STAMPED PART NUMBER AND DATE CODE

No Letters – HEIL – Will Require Cylinder "O"-Ring Kit 753-0369



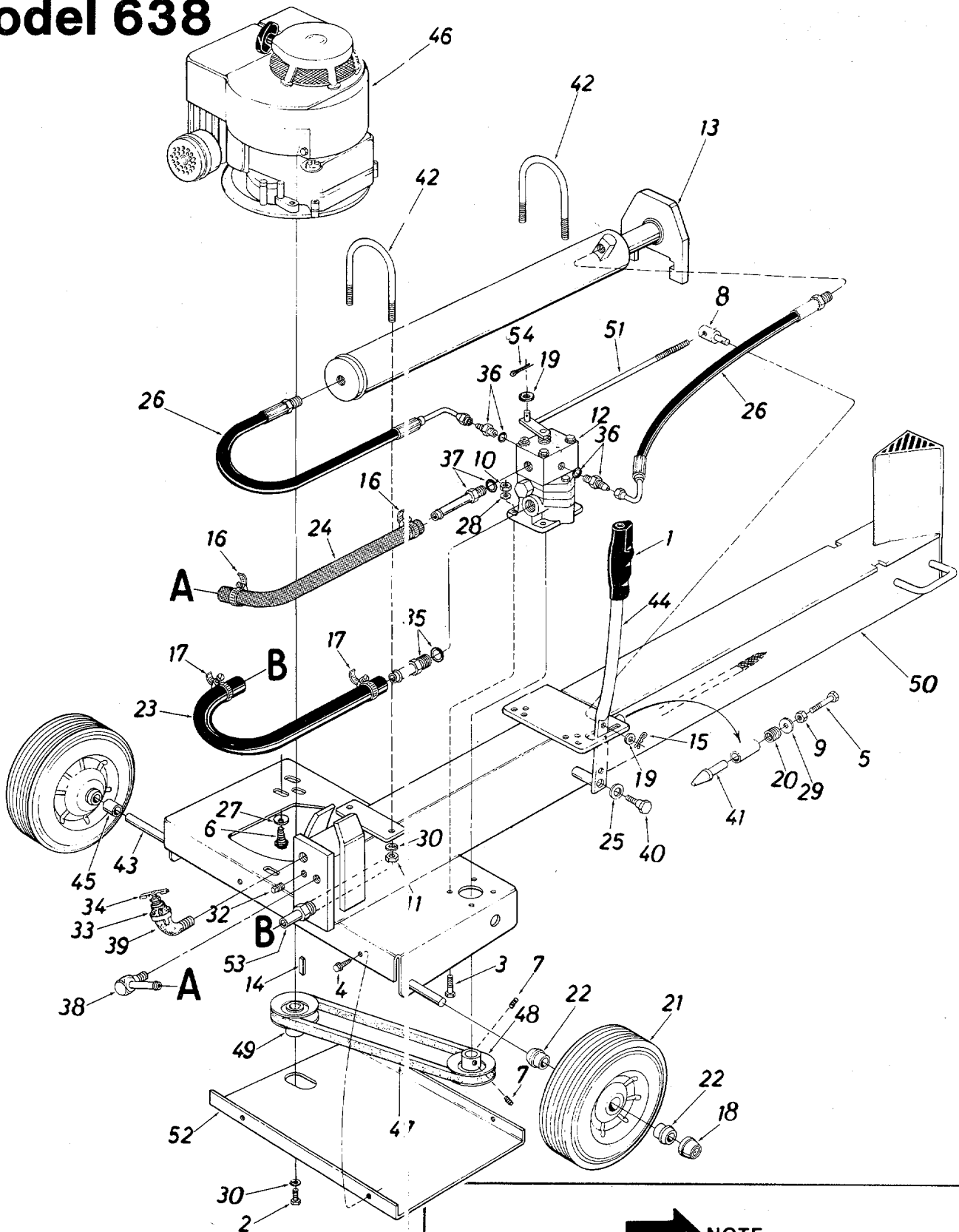
STAMPED PART NUMBER AND DATE CODE

Letters "AF" – AGRI-FAB – Will Require Cylinder "O"-Ring Kit 753-0368

2-1/2" DIA. CYLINDER PARTS LIST FOR MODEL 638

REF. NO.	PART NO.	DESCRIPTION
1	717-0804	Cylinder Ass'y. Comp.
2	753-0368	2-1/2" Cyl. Kit "O"-Ring Set (Agri-Fab)
	753-0369	2-1/2" Cyl. Kit "O"-Ring Set (Heil)

Model 638



NOTE

This instruction manual covers various models, and all specifications shown do not necessarily apply to your model. Specifications subject to change without notice or obligation.

Model 638

PARTS LIST FOR MODEL 638 LOG SPLITTER

REF. NO.	PART NO.	COLOR CODE	DESCRIPTION	NEW PART	REF. NO.	PART NO.	COLOR CODE	DESCRIPTION	NEW PART
1	08118		Grip		28	736-0119		L.-Wash. 5/16" I.D.*	
2	710-0152		Hex Bolt 3/8-24 x 1.00" Lg.*		29	736-0159		Fl.-Wash. .341" I.D. x .88" O.D.	
3	710-0376		Hex Bolt 5/16-18 x 1.00" Lg.*		30	736-0169		L.-Wash. 3/8" I.D.*	
4	710-0599		Hex Wash. Hd. TT Tap Scr. 1/4-20 x .50" Lg.		32	737-0104		Plug 1/4 NPTF Sq. Hd.	
5	710-0624		Hex Bolt 5/16-24 x 1.5 Lg.*		33	737-0187		Female Adapter 1/4 NPTF	N
6	710-0649		Hex Wash. Hd. TT Tap Scr. 3/8-16 x .87" Lg.		34	737-0161		Breather Valve 1/4 NPTF-M	
7	710-0938		Set Scr. 1/4-28 x .25" Cup		35	737-0182		Adapter 3/4 Tubing to 3/4-16 M-Boss	N
8	711-0628		Adjustment Ferrule 5/16-18 Thd.		36	737-0183		Adapter - or Boss to MJIC 9/16-18 to 7/16-20	N
9	712-0123		Hex Nut 5/16-24 Thd.*		37	737-0184		Adapter 1/2 Tube 9/16-18 O.R. M-Boss	N
10	712-0267		Hex Nut 5/16-18 Thd.*		38	737-0185		90° Elbow Adapter 1/2" Tube 1/2 NPTF	N
11	712-0798		Hex Nut 3/8-16 Thd.*		39	737-0186		90° Elbow - 1/2 NPTF Nipple	N
12	717-0803		Valve in Head Pump Ass'y.	N	40	738-0147		Shld. Scr. .498 Dia. x .170" Lg.	N
13	717-0804		Cylinder Ass'y.	N	41	738-0406		Return Stroke Stop Plunger	
14	714-0133		Sq. Key 3/16 x 1-1/2" Lg.		42	747-0455		Cylinder Support Rod	
15	714-0104		Hair Pin Cotter		43	747-0458		Axle Shaft 5/8" Dia. x x 25.25" Lg.	N
16	726-0146		Hose Clamp 3/4" I.D.		44	749-0625		Engagement Lever .88" O.D. x 17" Lg.	N
17	726-0173		Hose Clamp 1.0" I.D.		45	750-0118		Spacer 5/8" I.D. x 7/8" O.D. x .90" Lg.	
18	726-0214		Push Cap .625" Dia. Black		46	-----		Engine 3-1/2 H.P. (4L) Belt 1/2" V x 30" Lg.	N
19	736-0264		Fl.-Washer 5/16" I.D. x 5/8" O.D.		47	754-0278		1/2" V-Pulley 5/8" I.D. x 3-1/4" O.D.	N
20	732-0252		Compression Spring .64 I.D. x .81 Lg.		48	756-0426		1/2" V-Pulley 7/8" I.D. x 3-1/4" O.D.	N
21	734-0736		Wheel Ass'y. Comp. 10.x2.75		49	756-0425		Oil Tank & Frame Ass'y. Comp.	N
22	741-0116		Flange Bearing		50	781-0001		Engagement Rod 5/16-24 Thd.	N
23	727-0291		Suction Hose 3/4" I.D. (Tank to Pump)	N	51	747-0457		Belt Cover	N
24	727-0292		Return Hose 1/2" I.D. (Pump to Tank)	N	52	781-0008		Strainer Tube Ass'y.	N
25	736-0232		Wave Wash. .53" I.D. x .78" O.D.		53	15234		Cotter Pin 3/32" Dia. x .75" Lg.*	N
26	727-0294		High Pressure Hose (Forward & Return)	N	54	714-0507			
27	736-0105		Bell.-Wash. .400" I.D. x .88" O.D.						

*For faster service obtain standard nuts, bolts and washers locally. If these items cannot be obtained locally, order by part number and size as shown on parts list.

The engine is not under warranty by the log splitter manufacturer. If repairs or service is needed on the engine, please contact your nearest authorized engine service outlet. Check the "Yellow Pages" of your telephone book under "Engines - Gasoline."



PARTS INFORMATION

POWER EQUIPMENT PARTS AND SERVICE

Parts and service are available through the authorized service firms listed below. All orders should specify the model number of your unit, part numbers, description of parts and the quantity of each part required.

NOTE: If any parts are found to be missing or defective upon assembly of this unit, write to advise the factory so that immediate replacement can be made.

ALABAMA	BIRMINGHAM	
Auto Electric & Carburetor Co.	2625 4th Ave. S.	35233
ARKANSAS	NORTH LITTLE ROCK	
Sutton's Lawn Mower Shop	5301 Roundtop Drive Box 368, Rt. 4	72117
CALIFORNIA	PORTERVILLE	
Billious	75 North D Street	93257
COLORADO	DENVER	
Spitzer Industrial Products Co.	6601 N. Washington St.	80229
FLORIDA	JACKSONVILLE	
Radco Distributors	4909 Victor St. Box 5459	32207
	OPA LOCKA	
Small Eng. Dist.	2351 N.W. 147th St.	33054
GEORGIA	EAST POINT	
East Point Cycle & Key	2834 Church St.	30344
ILLINOIS	LYONS	
Keen Edge Co.	8615 Ogden Ave.	60534
INDIANA	ELKHART	
Parts & Sales Inc.	2101 Industrial Pkwy.	46516
IOWA	DUBUQUE	
Power Lawn & Garden Equip.	2551 J.F. Kennedy	52001
LOUISIANA	MONROE	
Mid-South Power	1500 Arkansas St.	71201
	NEW ORLEANS	
Suhren Engine Co.	8330 Earhart Blvd.	70118
MARYLAND	TAKOMA PARK	
Center Supply Co.	6867 New Hampshire Ave.	20912
MASSACHUSETTS	SPRINGFIELD	
Morton B. Collins Co.	300 Birnie Ave.	01107
MICHIGAN	LANSING	
Lorenz Service Co.	2500 S. Pennsylvania	48910
	MOUNT CLEMENS	
Power Equipment Dist.	340 Hubbard	48043
MINNESOTA	HOPKINS	
Hance Distributing Inc.	420 Excelsior Ave. W.	55343
MISSISSIPPI	BILOXI	
Biloxi Sales & Service, Inc.	506 Caillavet St.	39533
MISSOURI	KANSAS CITY	
Automotive Equip. Service	3117 Holmes St.	64109
	ST. JOSEPH	
Ross-Frazier Supply Co.	8th and Monterey	64503
	ST. LOUIS	
Henzler, Inc.	2015 Lemay Ferry Rd.	63125
NEW JERSEY	BELLMAWR	
Lawnmower Parts Inc.	717 Creek Rd.	08030
NEW MEXICO	ALBUQUERQUE	
Spitzer Eng. & Parts	1023 Third Ave. N.W.	87103
NEW YORK	CARTHAGE	
Gamble Dist., Inc.	West End Ave.	13619
	SCHOHARIE	
Red Fox Parts Dist.	Rt. 30 P.O. Box 527	12157

BRIGGS AND STRATTON, TECUMSEH AND PEERLESS PARTS AND SERVICE

Briggs & Stratton, Tecumseh and Peerless parts and service should be handled by your nearest authorized engine service firm. Check the yellow pages of your telephone directory under the listing **Engines—Gasoline**, Briggs & Stratton or Tecumseh Lauson.

NORTH CAROLINA	GOLDSBORO	
Smith Hardware Co.	515 N. George St.	27530
	GREENSBORO	
Dixie Sales Company	335 N. Green	27402
OHIO	CARROLL	
Stebe's Mid-State Mower Supply	Box 366, 71 High St.	43112
	CLEVELAND	
Bleckrie, Inc.	7900 Lorain Ave.	44102
	WADSWORTH	
National Central	687 Seville Rd.	44281
	YOUNGSTOWN	
Burton Supply Co.	1301 Logan Ave. Box 929	44501
OKLAHOMA	MUSKOGEE	
Victory Motors, Inc.	605 S. Cherokee	74401
OREGON	PORTLAND	
Kenton Supply Co.	8216 N. Denver Ave.	97217
PENNSYLVANIA	HARRISBURG	
EECO Inc.	4021 N. 6th St.	17110
	PHILADELPHIA	
Thompson Rubber Co.	5222-24 N. Fifth St.	19120
	PITTSBURGH	
Bluemont Co.	11125 Frankstown Rd.	15235
	PUNXSUTAWNEY	
Frank Roberts & Sons	R.D. 2	15767
	SCRANTON	
Scranton Auto Ignition Co.	1133-35 Wyoming Ave.	18509
TENNESSEE	KNOXVILLE	
Master Repair Service	2000 Western Ave.	37921
	MEMPHIS	
American Sales & Service, Inc.	3035-43 Bellbrook	38116
TEXAS	DALLAS	
Marr Brothers, Inc.	423 E. Jefferson	75203
	FORT WORTH	
Woodson Sales Corp.	1702 N. Sylvania	76111
	HOUSTON	
Bullard Supply Co.	2409 Commerce St.	77003
	SAN ANTONIO	
Engine House Inc.	8610 Botts Lane P.O. Box 17867	78217
UTAH	SALT LAKE CITY	
A-1 Engine & Mower Co.	439 E. 900 So.	84111
VIRGINIA	ASHLAND	
RBI Corp.	101 Cedar Run Dr.	23005
WASHINGTON	SEATTLE	
Bailey's Inc.	1414 14th Ave.	98122
WISCONSIN	APPLETON	
Automotive Supply Co.	123 S. Linwood Ave. P.O. Box 798	54911
	CHILTON	
Horst. Dist.	444 N. Madison	53014

WARRANTY PARTS AND SERVICE POLICY

(0483)

The purpose of warranty is to protect the customer from defects in workmanship and materials, defects which are NOT detected at the time of manufacture. It does not provide for the unlimited and unrestricted replacement of parts. Use and maintenance are the responsibility of the customer. The manufacturer cannot assume responsibility for conditions over which it has no control. Simply put, if it's the manufacturer's fault, it's the manufacturer's responsibility; if it's the customer's fault, it's the customer's responsibility.

CLAIMS AGAINST THE MANUFACTURER'S WARRANTY INCLUDES:

1. Replacement of Missing Parts on new equipment.
2. Replacement of Defective Parts within the warranty period.
3. Repair of Defects within the warranty period.

All claims MUST be substantiated with the following information:

1. Model Number of unit involved.
2. Date unit was purchased or first put into service.
3. Date of failure.
4. Nature of failure.